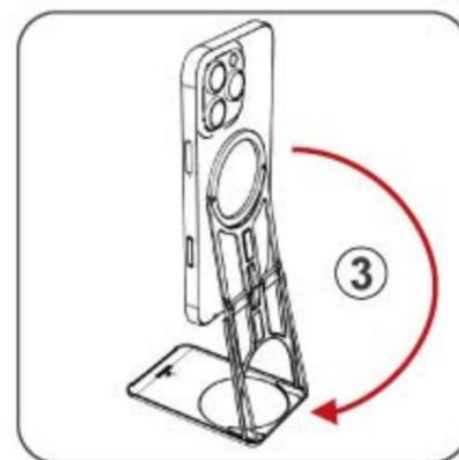
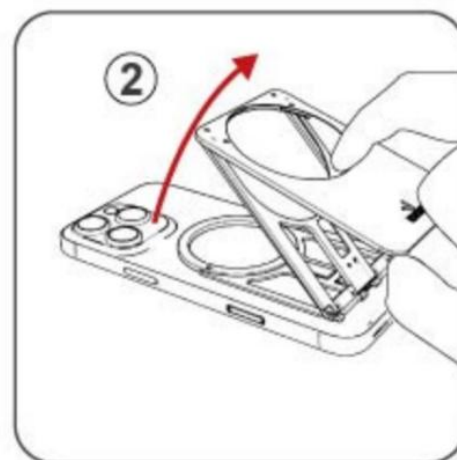


Open & Expand



Close & Detach

